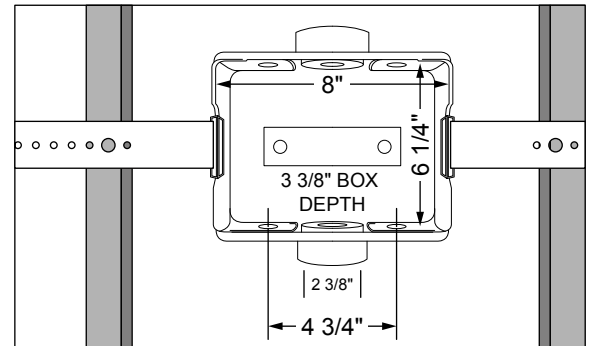
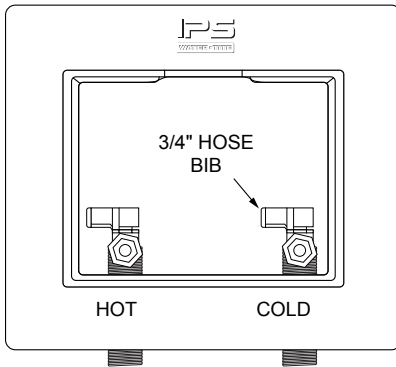


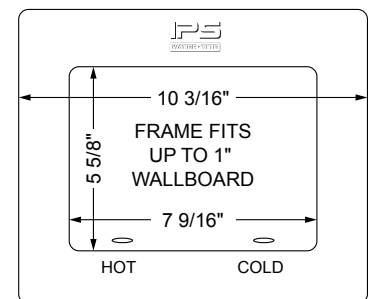


Center Drain Washing Machine Outlet Box with Quarter Turn Valves



Specifications:

Furnish and install Center Drain Washing Machine Outlet Box with quarter turn valves. Box may optionally be installed as top-mount unit. Unit shall be Water-Tite product code checked below, as manufactured by IPS Corporation. Valves comply with ASME A112.18.1



PRODUCT	DESCRIPTION	MODEL	UNITS/CASE
Standard Packs			
82064	Brass Qtr-turn Valves, Installed, 1/2" Sweat Conx.	W4700	10
82066	Brass Qtr-turn Valves, Installed, 1/2" CPVC Conx.	W4701	10
82068	Brass Qtr-turn Valves, Installed, 1/2" F1807 Conx.	W4702	10
82003	Brass Qtr-turn Valves, Installed, 1/2" F1960 Conx.	W4711	10
82308	Brass Qtr-turn Valves, Installed, 1/2" Viega Conx.	W4722	10
82752	Brass Qtr-turn Valves, Installed, 1/2" REHAU EVERLOC+™	W4705	10
87203	Washer Box Only – No Valves, 1-1/2" x 2" Coupling	W4015	10
87204	Washer Box Only – No Valves	W4012	10
Contractor Packs			
82065	Brass Qtr-turn Valves, Installed, 1/2" Sweat Conx.	W4700CP	20
82067	Brass Qtr-turn Valves, Installed, 1/2" CPVC Conx.	W4701CP	20
82069	Brass Qtr-turn Valves, Installed, 1/2" F1807 Conx.	W4702CP	20
82004	Brass Qtr-turn Valves, Installed, 1/2" F1960 Conx.	W4711CP	20
82753	Brass Qtr-turn Valves, Installed, 1/2" REHAU EVERLOC+™	W4705CP	20
Center Drain Display Pack			
81977	Brass Qtr-turn Valves, Installed 1/2" F1807	R4702	4
89267	Replacement Faceplate ¹	W7070	1

