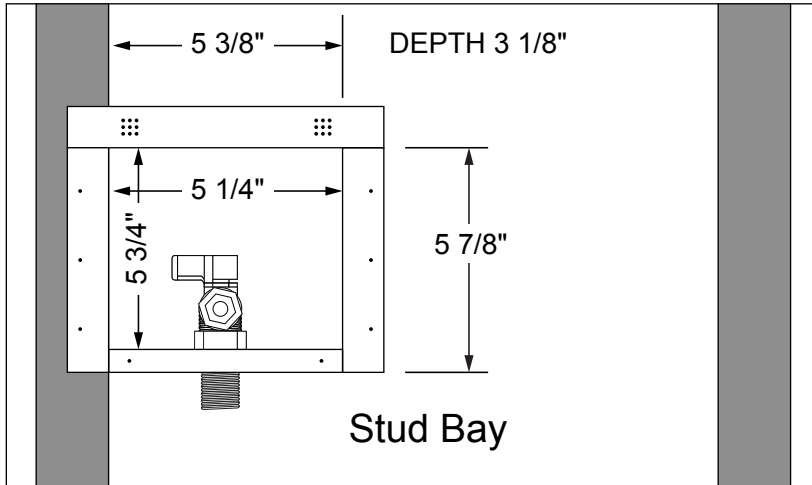




"FR-12" Metal Fire Rated Ice Maker Outlet Box with Lead Free Quarter Turn Vavles



Specifications:

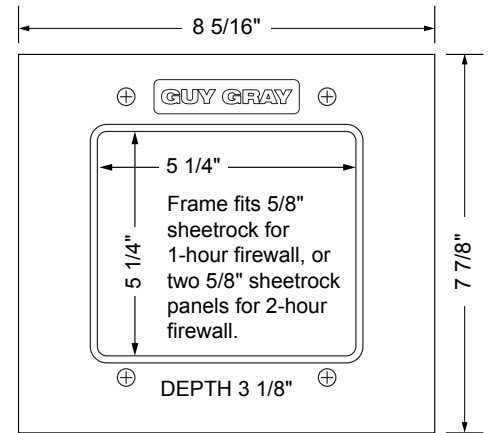
Furnish and install recessed fire rated ice maker outlet box. Unit shall have a lead free quarter-turn ball valve. Unit shall be Guy Gray product code checked below as manufactured by IPS Corporation.

Box Material:

White Powder Coat on 20 Gauge Cold Rolled Steel Finish & Intumescent Pad

Valve & Drain Options:

Qtr. Turn Valve kit with 1/2" MIP/Sweat, CPVC, PEX or Wirsbo connection furnished. Kit includes valves, locknuts and o-rings. Valves comply with NSF61-NSF/ANSI 372



PRODUCT	DESCRIPTION	MODEL	UNITS/CASE
82390	Qtr-turn Valve, 1/2" Sweat Connection	FRMIB12ABS	5
82393	Qtr-turn Valve, 1/2" CPVC Connection	FRMIB12ABC	5
82395	Qtr-turn Valve, 1/2" F1807 Connection	FRMIB12ABP	5
82397	Qtr-turn Valve, 1/2" F1960 Connection	FRMIB12ABW	5
82398	Qtr-turn Arrester Valve, 1/2" F1960 Connection	FRMIB12ABWHA	5
97983	Replacement Faceplate for Model FR, Metal	97983	5

