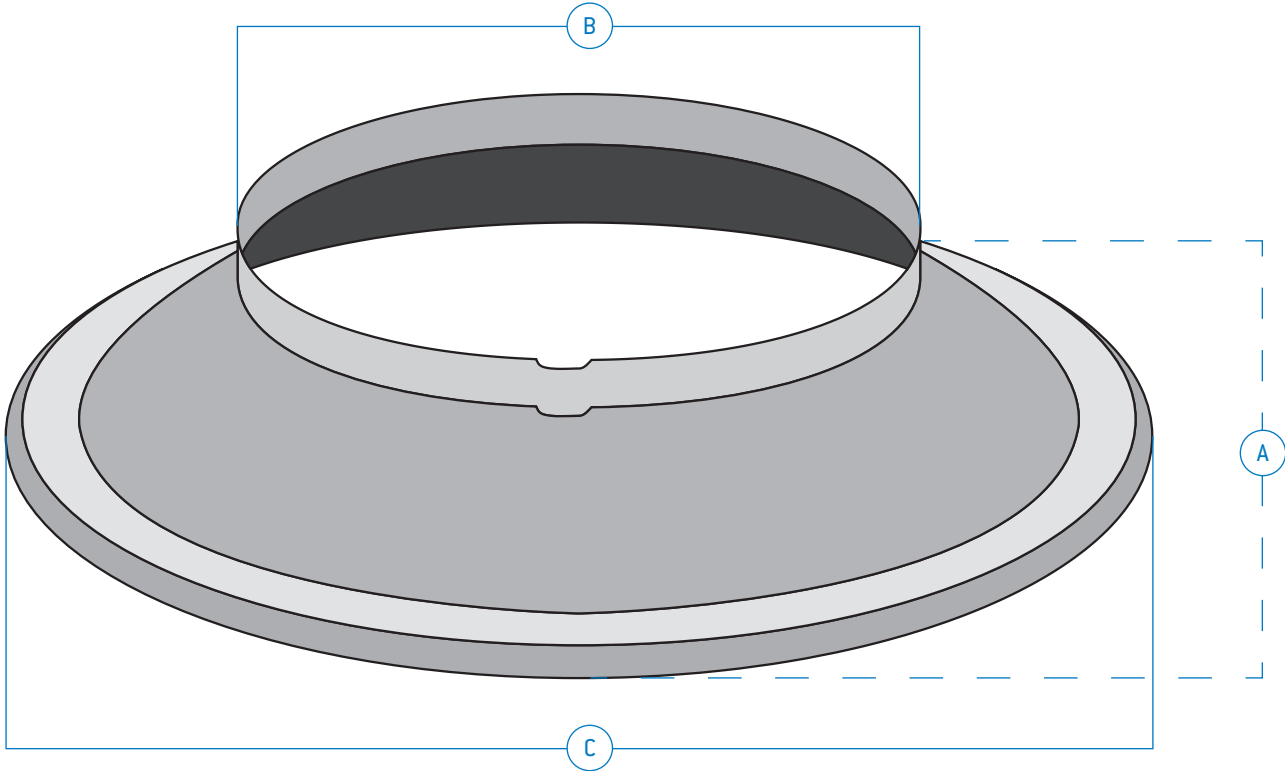




# Type B Vent Stamped Storm Collars



**Features**

- 26 gauge G-90 Galvanized ASTM-A653 CS B Galvanized steel
- For use with Typ B ventilation pipe and flashing
- Single size for quick installation

**Specifications:**

Furnish and install Type B galvanized steel storm collar. Unit shall be Water-Tite® item number checked below as manufactured by IPS Corporation®, as per corresponding dimensional characteristics, or equivalent.

Product Code	Model	A - Height (inches)	B - ID (inches) +.02, -0.0	C - OD (inches) +.15, -0.0
81597	SC3S	3"	3.5	6.626
81598	SC4S	4"	4.5	7.626
81601	SC5S	5"	5.5	8.625
81602	SC6S	6"	6.5	9.625