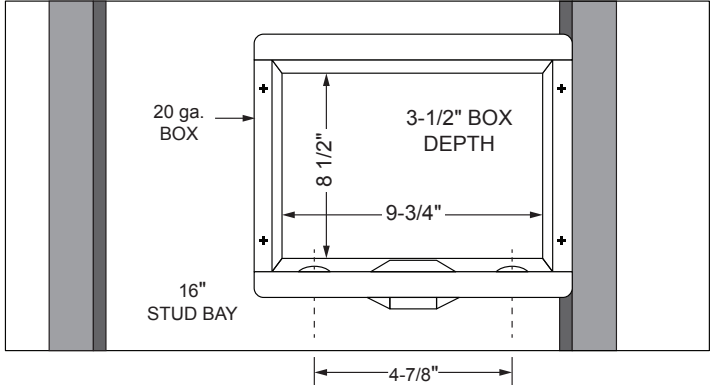
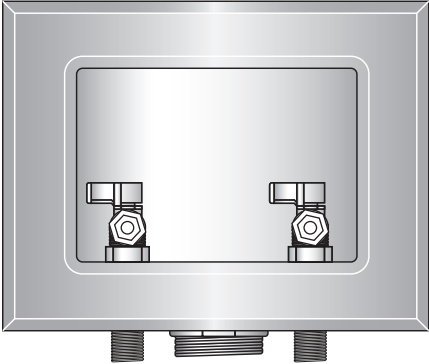


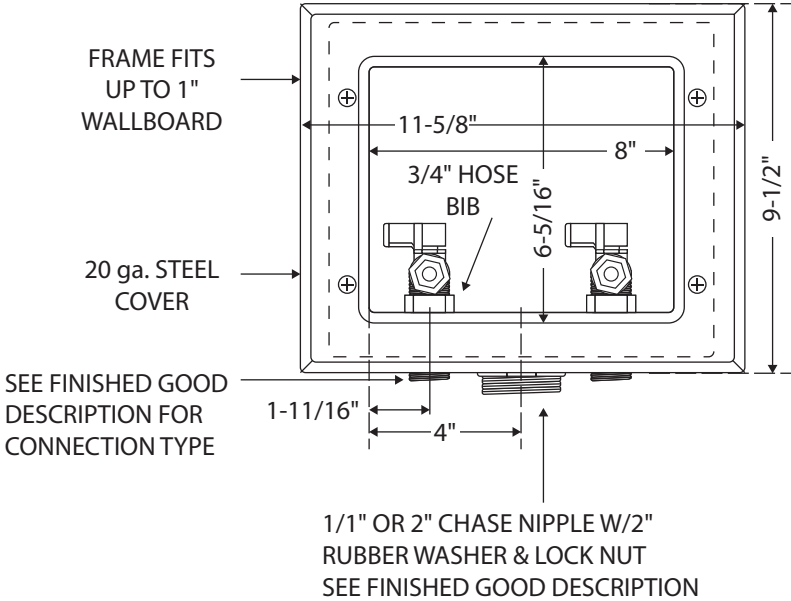


Center Drain Galvanized Washing Machine Outlet Box



Specifications:

Furnish and install recessed Center Drain Galvanized Washing Machine Outlet Box. Box shall contain valves furnished loose with valve holes punched out in appropriate location as product code checked below. Valves may be quarter turn brass or domestic brass as product code checked below. Hammer Arresters may be pre-installed to the valve that are ASSE Certified to ANSI/ASSE 1010-2004 and conforms to IPC-2006 Standard. Center Drain Outlet w/ 2" Slipnut to be used with 2" Pipe Nipple or male adapter.



Washing Machine Outlet Box — B150 & B200 Series			
PRODUCT	DESCRIPTION	MODEL	UNITS/CASE
82026	1/2" MIP/Sweat Conx. Valve, 1-1/2" Threaded Drain Fitting	B150	1
82032	1/2" MIP/Sweat Conx. Valve, 2" Threaded Drain Fitting	B200	1
82036	Top-mount 1/2" MIP/Sweat Conx. Valves, 2" Threaded Drain Fitting	BB200TS	1
81974	1/2" F1807 Conx., 2" Threaded Drain	B200X	1
81975	1/2" CPVC Conx., 2" Threaded Drain	B200C	1
97091	Replacement Faceplate for Models B, BB, WB, FB, & BIM; 20 Ga. Galvanized	B	1

